

ARCHITECTURAL LIGHTING

OKUL AL11600



Benefits

- Powerful LEDs offer energy savings and cost reduction for maintenance
- External fixings have a high resistance to UV and are treated with antioxidant water-repellent lubricating solution to lengthen lifespan
- Housing is highly resistant to oxidation for prevention of damage to luminaire interior
- Design allows for ease of maintenance
- Sealed to IP65 and IK07 rated
- Stainless steel A4-70 treated external fixings
- Die cast aluminium housing with EN-AB 47100 standard and high resistance to oxidation
- EPDM sealing gasket
- Vandal resistant opal polycarbonate UV resistant diffuser

Applications

- Architectural
- Surface Mounted

Technical Features

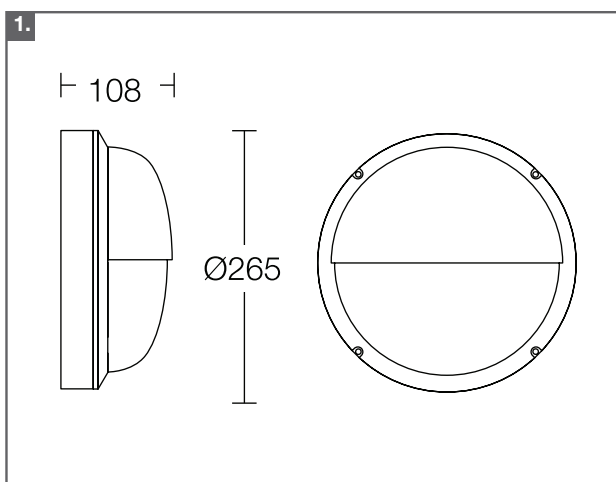
- Wall mounted down lighter
- Integral driver
- Available in anthracite or light grey for architectural use
- Double powder coated polyester finish with high resistance to UV and oxidation

Colours

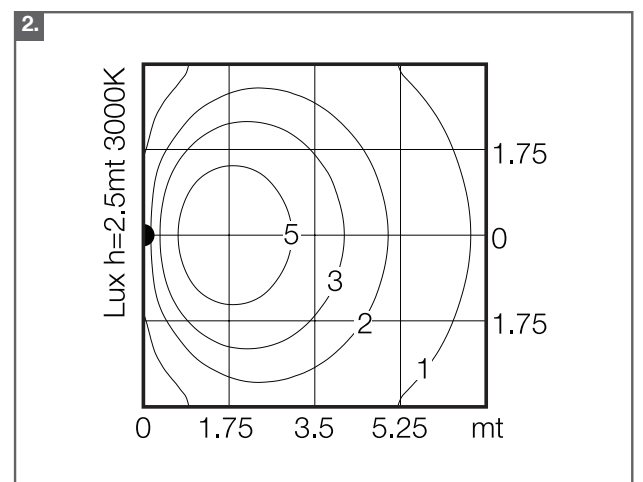
- Anthracite
- Light Grey

	Lamp Wattage	Power Supply	LED	Colour Temp.	LED Driver	Lm	Fixture Colour	Emergency Version
AL11601	17.5W	220-240V 50/60HZ	42 LED	3000	Integral	1586	Anthracite	Available*
AL11602	17.5W	220-240V 50/60HZ	42 LED	3000	Integral	1586	Light grey	Available*

Key features



Dimensions



Polar Intensity Diagram

All dimensions are in mm.

* Please enquire regarding emergency version when requesting quotation and ordering.