



# SPICA AL11100

IP67

IK10



## Benefits

- Luminaire housing has a high resistance to UV and is treated with highly antioxidant water-repellent lubricating solution to lengthen lifespan
- Strong luminaire body can withstand a maximum static pressure load 2500kg for use in high traffic areas
- Stainless steel finish ideal for architectural use
- High efficiency thermoplastic with high vacuum deposit for heightened luminaire care
- Available in standard and RGB options to suit a variety of environments
- Design allows for ease of maintenance

## Technical Features

- In-ground recessed uplighter
- Integral driver in AL11101 (3000K)

- Non-integral driver in AL11102 (RGB)
- Powder coated die cast aluminium EN AB 44100 body
- Protective undercoating phosphochromate treatment
- Sealed to IP67
- AISI 316L stainless steel trim
- Techno polymer Rough in Housing 017
- Soda-lime tempered glass 15mm
- Silicon sealing gasket
- Supplied with pre wired cable 0.5m long HO7RN8-F with brass cable gland M20 Ø 7 / 13mm
- Wire through connection possible with accessory
- Drainage area 300mm
- Maximum static pressure load 2500kg
- Available in LED 3000K or RGB

## Applications

- Architectural
- In ground / surface recessed

## Colours

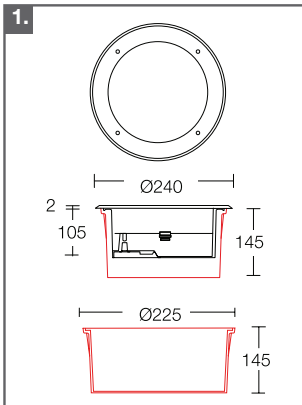
-  Stainless

	Lamp Wattage	Power Supply	LED	Beam	Colour Temp.**	Touch Temp.	Lm	Fixture Colour	LED Driver
<b>AL11101</b>	26W	220-240V 50/60HZ	1 LED	Flood	3000	<70	2668	Stainless	Integral
<b>AL11102</b>	12W	Max 350mA 50/60HZ	4 LED	Flood	RGB	<70	420	Stainless	Non-Integral*

\*\* Other colour temperatures available on request

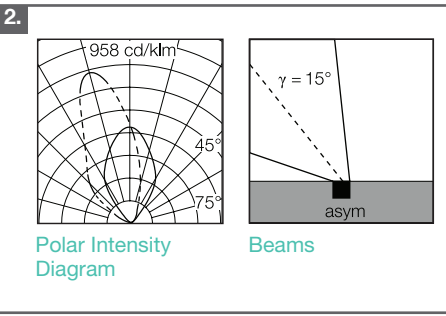
## Key features

**1.**



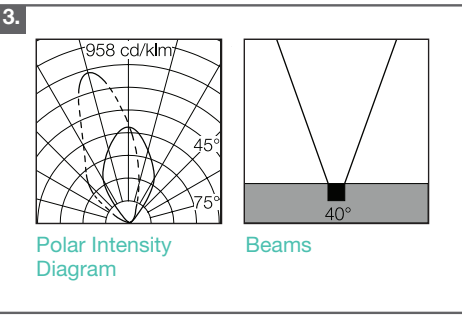
**Dimensions**

**2.**



**AL11101**  
Luminaire: 26W 3000K  
Lamp: 1 LED  
Power: 220-240V 50/60HZ

**3.**



**AL11102**  
Luminaire: 12W RGB  
Lamp: 4 LED  
Power: Max 350mA

All dimensions are in mm.

\* For RGB version, please enquire regarding drivers when requesting quotation and ordering.