

# TRENT 2 LED AL5500 DOUBLE ASYMMETRIC



## Benefits

- Maximum glare control allows for mounting indoors or at lower height to avoid glare for site users
- Aesthetic styling suitable for architectural and commercial locations
- Reduces maintenance risks with a knife switch to interrupt the power feed upon opening

## Technical Features

- IP66 and IK08 rated
- Class I as standard, protected against surges upto 10kV
- Asymmetrical lighting distribution
- Available in four distribution angles
- Available in two body sizes
- Multiple wattages available in the 16 LED and 20 LED versions
- Programmable drivers on selected versions
- Die cast aluminium body and front frame in polyester powder coating
- Galvanized steel bracket
- Extra-clear 4mm thick tempered glass
- Power correction factor >0.90
- Philips LUMILEDS LUXEON M MULTICHIP LEDs



Body 4  
12 LED



Body 5  
16 LED



- Mounted on a pressed aluminium circuit, highly heat dissipating Metal Core Printed Circuit Board
- Compliant with EN 60598-1 and EN 60598-2-5
- Photobiological Risk Group exempt based on EN62471
- Multiple light source options available (LED)



Body 5  
20 LED



## Applications

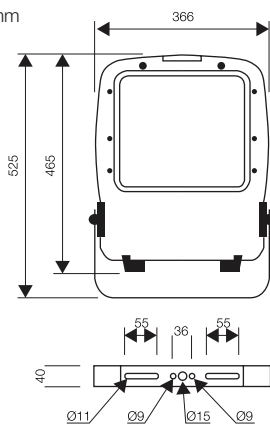
- Area
- Sport

## Colour

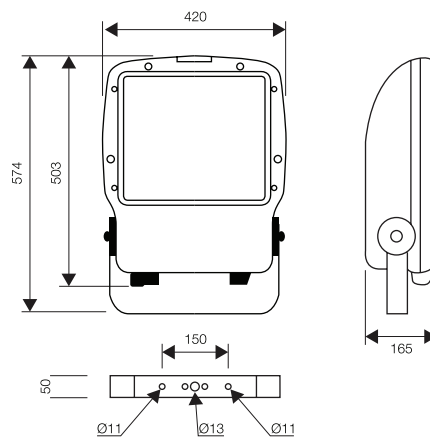
- Light Grey

## Dimensions

Dimensions in mm



Body Type 4



Body Type 5



# Technical Specifications

	Wattage (Total Inc Driver)	Number of LEDs	Nominal Lumen Output (lm)	Lumen Output (lm)	L80 Hours (Ta=25°)	CCT & CRI	Fixed Current Driver	Program-mable Driver	Running Current	Beam Width	Body Type	Weight (kg)	Wind Area (m2)
<b>AL5545</b>	78W	12	10900	8600	>70000		Y	N	530mA	45° Wide	4	11.3kg	0.077
<b>AL5546</b>	78W	12	10900	8600	>70000	4000K / >70 CRI	Y	N	530mA	45°	4	11.3kg	0.077
<b>AL5547</b>	78W	12	10900	8600	>70000		Y	N	530mA	55°	4	11.3kg	0.077
<b>AL5548</b>	78W	12	10900	8600	>70000		Y	N	530mA	60°	4	11.3kg	0.077
<b>AL5555</b>	100W	16	13900	11300	>60000	4000K / >70 CRI	Y	N	530mA	45° Wide	5	14.4kg	0.087
	127W	20	16400	14000	>60000		N	Y	500mA	45° Wide	5	14.4kg	0.087
<b>AL5556</b>	100W	16	13900	11300	>60000	4000K / >70 CRI	Y	N	530mA	45°	5	14.4kg	0.087
	127W	20	16400	14000	>60000		N	Y	500mA	45°	5	14.4kg	0.087
<b>AL5557</b>	100W	16	14200	11050	>60000	4000K / >70 CRI	Y	N	530mA	55°	5	14.4kg	0.087
	127W	20	16400	13690	>60000		N	Y	500mA	55°	5	14.4kg	0.087
<b>AL5558</b>	100W	16	13900	11050	>60000	4000K / >70 CRI	Y	N	530mA	60°	5	14.4kg	0.087
	127W	20	16400	13690	>60000		N	Y	500mA	60°	5	14.4kg	0.087

**LIGHT DISTRIBUTION TYPE:** Double Asymmetric  
**MOUNT:** Stirrup or wall mount

## Key features

