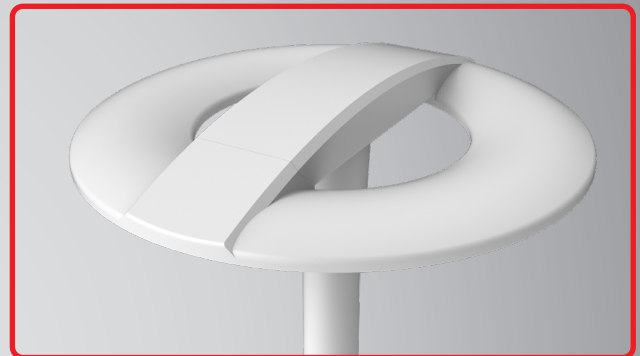


Orion Pro LED - Key Features

- Direct retrofit to Orion 1 twin lamp 400W
- Available in 180° asymmetrical and 360° symmetrical beam distributions
- 250W symmetrical as standard (Internal drivers)
- 125W asymmetrical as standard (Internal drivers)
- 500W symmetrical option available (Internal drivers)
- Standard working ambient temp. upto 45°C
- 50°C high working ambient temp. option available on request (External drivers)
- Colour temperature 4000K as standard (3000K option available on request)
- Less than 1% upward light
- IP66 and IK10 rated
- 2 Zhaga interfaces for flexibility
- DALI 2 and D4i as standard
- Integrated spigot - 76mm or 89mm shaft compatible
- White polyester powder coated canopy & spigot
- Programmable lumen output to suit designs
- Supplied in recyclable cardboard packaging



Product Applications

- Amenity Lighting
- Car Parks
- Airport Parking
- Retail Parks
- Railway Stations
- Open Area Parks

Orion Pro LED Retail & Amenities Light

The Abacus Orion Pro LED luminaire stands out as a pioneering lighting solution, delivering efficient and high-quality illumination for a wide range of outdoor spaces. It excels in achieving British standard BS5489 and European standard BS EN12464-1, making it ideal for urban centres & public amenity areas. Thanks to its advanced LED technology, the Orion Pro not only provides superior brightness but also achieves significant energy savings, contributing to a reduced environmental footprint.

With its high-output 360-degree light distribution and precise optics, the Orion Pro ensures excellent beam control, offering pinpoint lighting precision while minimising light pollution. Overall, the Abacus Orion Pro represents a sustainable and dependable lighting solution that seamlessly integrates performance, durability, and energy efficiency.

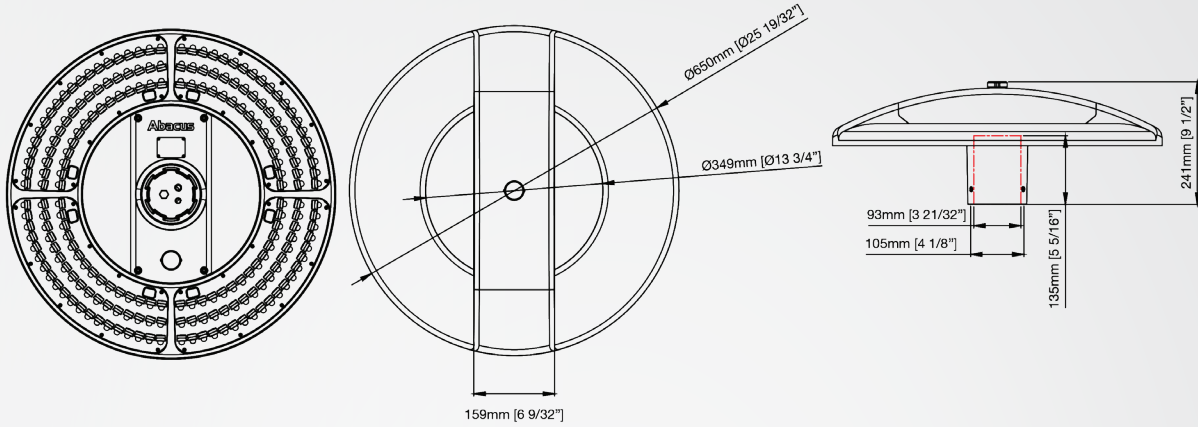


Orion Pro LED AL4700 Series

Abacus®

Leaders in Lighting

Orion Pro LED Dimensions



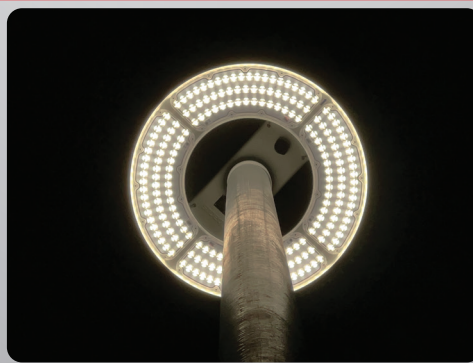
Technical Specification

Technical Specification	125W	250W	500W
Luminous Flux:	20,000 lm	40,000 lm	72,000 lm
Colour Temperature:	4000K (Other options available on request)		
Colour Rendering Index (CRI):	Ra70 (Ra80 optional)		
Body Colour:	White: RAL9003 as standard (Other options available on request)		
Lifetime:	L90B10 > 80,000hrs at 25°C Ambient temperature		
Dimensions:	650mm x 203mm		
Weight:	14.1kg ± 10%		
Working Temperature:	-30°C ~ 45°C (50°C optional)		
IP Rating:	IP66		
IK Rating:	IK10		
Max Spigot Length:	135mm		
Spigot Diameter:	76mm/89mm		
Wind Area:	0.0735m ²		

Spacings & Sample Levels

Height	Spacing (m)	250W 40,000lm		
		Average	Minimum	Uniformity
6m	40	22	7	0.32
	55	11	1	0.09
8m	40	21	11	0.52
	55	11	3	0.27

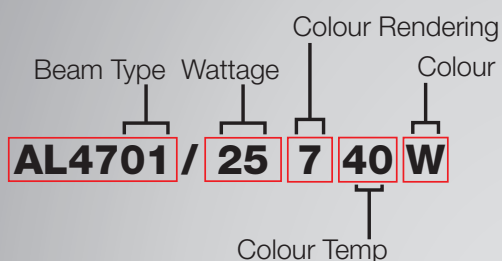
Height	Spacing (M)	500W 72,000lm		
		Average	Minimum	Uniformity
10m	55	20	9	0.45
	70	13	4	0.31
12m	55	20	11	0.55
	70	13	5	0.38



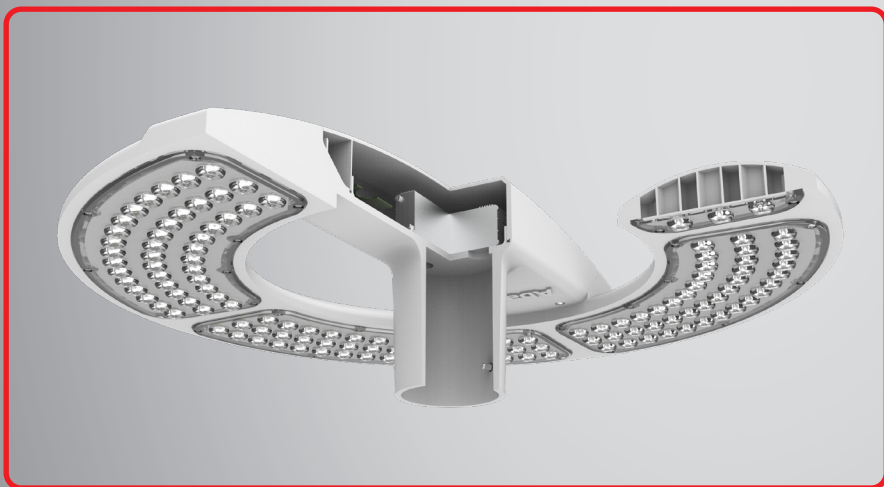
Product Code Selection

Beam Type & Power	Wattage	Colour Rendering	Colour Temperature	Body Colour
Symmetric = AL4701	125W = 12 (Asymmetric Only)	Ra70 Standard = 7	3000K = 30	RAL9003 (White) = W
Asymmetric = AL4702	250W = 25 (Symmetric Only)	*Ra80 = 8	4000K = 40	
	500W = 50 (Symmetric Only)			

Example Product Selection:

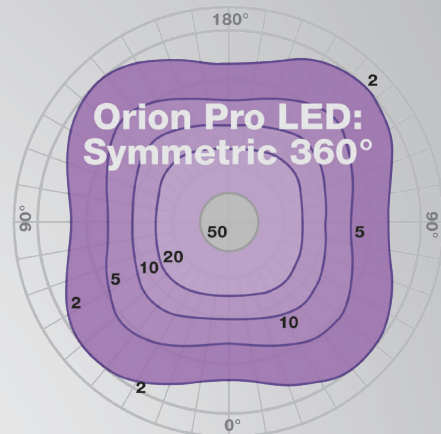


*Please contact Abacus for further details on non-standard options, MOQs may apply.



Light Distribution Photometry

Symmetrical Distribution AL4701



Asymmetrical Distribution AL4702



Scan Or Click Here To Download The Orion Pro Photometry Data:



Orion Pro LED - Typical Column Suitability

- 1.) Static Column *3 - 12m in height
- 2.) Base Hinge Column *3 - 12m in height
- 3.) York Hinge Column *3 - 6m in height

CLICK or SCAN



For More Information

*The Abacus Lighting columns mentioned above serve as examples for typical installations, but we are not restricted to these options. Abacus Lighting provides a comprehensive range of columns and masts that can accommodate virtually any new or retrofit lighting project.

