



VAGO 2

VAGO 4

VAGO 8

VAGO 12

In association with
Faeluce
 DOING IT BETTER

VAGO Key Features

- Durable die cast aluminium housing
- 160° rotation allows for a variety of mounting options
- CRI ≥70
- Colour temperature 4,000K as standard
- Surge protection up to 10kV
- Symmetric, asymmetric distributions
- Controls; DALI, 1-10V (optional)
- Protection against overheating

Product Applications

- Industrial Plants
- Ports & Terminals
- Substations
- Distribution & Container Storage Yards
- Sports Venues
- Car Parks & Amenity Lighting
- Public parks & Large Open Spaces

VAGO LED Floodlight Product Overview

The VAGO series, encompassing models from VAGO 0 through to VAGO 12, is a versatile range of high-performance LED floodlights designed for outdoor lighting, as well as sports venues. These floodlights feature bodies and covers made of die-cast aluminium, ensuring high resistance to atmospheric agents, complemented by removable anti-aging rubber gaskets for durability. The series includes options for symmetric, asymmetric, and circular optics, allowing tailored light distribution to meet diverse project requirements.

The VAGO range is well-suited for use in sectors requiring reliable, durable, and efficient lighting solutions, including outdoor general lighting, and sports venues where high-quality illumination is critical. With colour temperature options typically around 4000K (CRI 70), the series supports both warm and neutral white lighting needs.





VAGO LED Floodlight

AL61101 Series

Abacus®

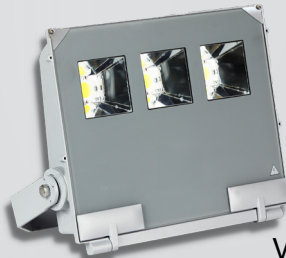
Leaders in Lighting

Technical Specifications

BODY TYPE	0	1	2	3	4	6	8	12
Power (W)	13-32W	38-50W	73-158W	130-168W	148-225W	174-330W	270-440W	438-608W
Input Voltage	220 - 240 V / 50 - 60 Hz VAC							
Power Factor	> 0.9							
Luminous Flux (Net lm)	2,050 - 4,490 lm	6,640 - 9,090 lm	11,940 - 26,840 lm	26,300 - 32,850 lm	26,550 - 41,850 lm	36,710 - 67,230 lm	60,830 - 93,500 lm	70,000 - 97,910 lm
L80 B10 @ 40°C	>70,000							
Efficiency (lm/W)	Up to 200 lm/W							
Electrical Class	Class I & Class II Options							
Surge Protection	up to 4kV in common mode, 2kV in differential mode		up to 4kV in common mode, 10kV in differential mode			up to 10kV in common and differential mode		
CCT (°K)	4000K (3000K available on request)							
CRI (Ra)	CRI 70 for 4000K versions and CRI 80 for 3000K versions							
Weight (kg)	1.70 kg	2.50 kg	5.70 kg	6.30 kg	7.80 kg	13.00 kg	13.20 kg	17.30 kg
Max Wind Area (m2) at 25°	0.016m ²	0.026m ²	0.058m ²	0.069m ²	0.082m ²	0.166m ²	0.166m ²	0.166m ²
Max Wind Area (m2) at 70°	0.037m ²	0.053m ²	0.094m ²	0.112m ²	0.132m ²	0.230m ²	0.230m ²	0.230m ²
IP Rating	IP66							
IK Rating	IK08							
Operating Temp (°C)	-40°C to +55°C							



VAGO 1



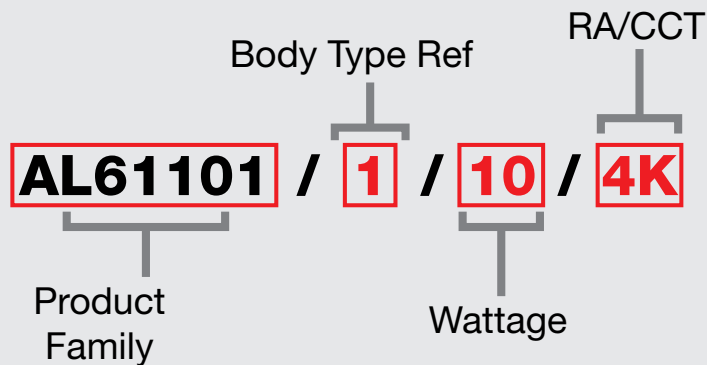
VAGO 3



VAGO 6

Product Selector

Product Selection Example:



**Non-standard options may be subject to MOQs or longer lead times.*

Asymmetric Product Variations

Beam Type	Body Type	Ref	Wattage	4000K output	3000K output	Insulation Class		Beam elevation when installed flat	Beam correction	Product code
						I	II			
Asymmetric Wide OAW	0	1	13	1540	1380	X		35°	-35°	AL61101/1/13/4K
		2	19	2150	1910	X				AL61101/2/19/4K
		3	27	2920	3400	X				AL61101/3/27/4K
		4	32	3380	2990	X				AL61101/4/32/4K
Asymmetric Wide 1AW	1	9	38	5040	4500	X		35°	-35°	AL61101/9/38/4K
		55	42	5990	5320	X				AL61101/55/42/4K
		10	50	6950	6160	X				AL61101/10/50/4K
Asymmetric Wide AW	2	17	73	9120	8090	X		42.5°	-45°	AL61101/17/73/4K
		18	93	11460	10160	X				AL1101/18/93/4K
		19	102	14960	13260	X				AL61101/19/102/4K
		20	135	18800	16670	X				AL61101/20/135/4K
		74	150	19440	-	X	X			AL61101/74/150/4K
	3	31	130	19230	17050	X		42.5°	-45°	AL61101/31/130/4K
		32	158	23500	20840	X				AL61101/32/158/4K
		75	168	24030	-	X	X			AL61101/75/168/4K
	4	56	148	21900	19420	X		42.5°	-45°	AL61101/56/148/4K
		36	212	29910	26520	X				AL61101/36/212/4K
	6	57	174	24710	21950	X		42.5°	-45°	AL61101/57/174/4K
		58	204	30980	27470	X				AL61101/58/204/4K
		41	219	29700	26340	X				AL61101/41/219/4K
		76	314	44970	-	X	X			AL61101/76/314/4K
		42	328	46140	40920	X				AL61101/42/328/4K
	8	59	270	44360	39480	X		42.5°	-45°	AL61101/59/270/4K
47		342	54880	48850	X		AL61101/47/342/4K			
Asymmetric Medium AM	2	13	73	9120	8090	X		47.5°	-45°	AL61101/13/73/4K
		14	93	15250	10160	X				AL61101/14/93/4K
		15	102	14960	13260	X				AL61101/15/102/4K
		16	135	18800	16670	X				AL61101/26/135/4K
		71	150	19440	-	X	X			AL61101/71/150/4K
Asymmetric Medium AM	3	29	130	19230	17050	X		47.5°	-45°	AL61101/29/130/4K
		30	158	23500	20840	X				AL61101/30/158/4K
		72	168	24030	-	X	X			AL61101/72/168/4K
	4	51	148	21900	19420	X		47.5°	-45°	AL61101/51/148/4K
		35	212	29910	34960	X				AL61101/35/212/4K
	6	52	174	24710	21950	X		47.5°	-45°	AL61101/52/174/4K
		53	204	30980	27470	X				AL61101/53/204/4K
		39	219	29700	26340	X				AL61101/39/219/4K
		73	314	44970	-	X	X			AL61101/73/314/4K
	8	40	328	46140	40920	X		47.5°	-45°	AL61101/40/328/4K
54		270	44360	54130	X		AL61101/54/270/4K			
		47	342	54880	48850	X				AL61101/47/342/4K





VAGO LED Floodlight AL61101 Series

Abacus®

Leaders in Lighting

Symmetric Product Variations

Beam Type	Body Type	Ref	Wattage	4000K Output	3000K Output	Insulation Class		Product code
						I	II	
Symmetric Medium SM	2	21	73	9550	8470	X		AL61101/21/73/4K
		22	93	12200	10820	X		AL61101/22/93/4K
		23	102	14960	13260	X		AL61101/23/102/4K
		77	150	19980	-	X		AL61101/77/150/4K
		24	158	21470	19240	X		AL61101/24/158/4K
Symmetric Medium SM	3	60	130	19870	17620	X		AL61101/60/130/4K
		33	168	24680	21880	X		AL61101/33/168/4K
		78	168	24780	-	X	X	AL61101/78/168/4K
	4	61	148	22540	20000	X		AL61101/61/148/4K
		37	225	31620	28040	X		AL61101/37/225/4K
	6	62	174	26090	23150	X		AL61101/62/174/4K
		43	219	31290	27750	X		AL61101/43/219/4K
		63	250	39730	35260	X		AL61101/63/150/4K
		79	314	46360	-	X	X	AL61101/79/314/4K
	8	44	330	50730	44990	X		AL61101/44/330/4K
64		312	53090	47250	X		AL61101/64/312/4K	
49		440	70560	62800	X		AL61101/49/440/4K	
Symmetric Wide OSW	0	5	13	1640	1450	X		AL61101/5/13/4K
		6	19	2260	2000	X		AL61101/6/19/4K
		7	27	3070	2720	X		AL61101/7/27/4K
		8	32	3590	3170	X		AL61101/8/32/4K
Symmetric Wide 1SW	1	11	38	5310	4710	X		AL61101/11/38/4K
		65	42	6310	5580	X		AL61101/65/42/4K
		12	50	7270	6450	X	X	AL61101/12/50/4K
Symmetric Wide SW	2	25	73	9550	8470	X		AL61101/25/73/4K
		26	93	12200	10820	X		AL61101/26/93/4K
		27	102	14960	13260	X		AL61101/27/102/4K
		80	150	19980	-	X		AL61101/80/150/4K
		28	158	21470	19040	X	X	AL61101/28/158/4K
	3	66	130	19870	17620	X		AL61101/66/130/4K
		34	168	24680	21880	X		AL61101/34/168/4K
		81	168	24780	-	X		AL61101/81/168/4K
	4	67	148	22540	20000	X	X	AL61101/67/148/4K
		38	225	31620	28040	X		AL61101/38/225/4K
	6	68	174	26090	23150	X		AL61101/68/174/4K
		45	219	31290	27750	X		AL61101/45/219/4K
		69	250	39730	35260	X		AL61101/69/250/4K
		82	314	46360	-	X		AL61101/82/314/4K
	8	46	330	50730	44990	X		AL61101/46/330/4K
		70	312	53090	47250	X		AL61101/70/312/4K
		50	440	70560	62800	X		AL61101/50/440/4K



Circular Product Variations

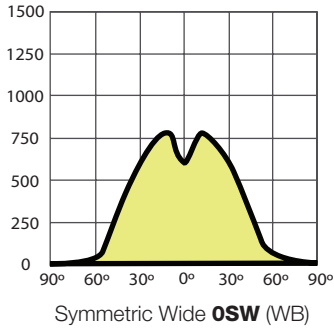
Beam Type	Body Type	Ref	Wattage	4000K output	3000K output	Insulation Class		Product code
						I	II	
Circular Wide CW	3	93	130	21040	18680	X		AL61101/93/130/4K
		94	168	26150	23190	X		AL61101/94/168/4K
		95	168	26280	-	X		AL61101/95/168/4K
	4	96	148	23930	21260	X		AL61101/96/148/4K
		97	225	33510	29710	X	X	AL61101/97/225/4K
	6	98	250	42190	37410	X		AL61101/98/250/4K
		100	314	49130	-	X		AL61101/100/314/4K
		99	330	53780	47690	X	X	AL61101/99/330/4K
	8	101	312	56230	50040	X		AL61101/101/312/4K
		102	440	74800	66570	X		AL61101/102/440/4K
Circular Narrow CN	3	83	130	21040	18680	X		AL61101/83/130/4K
		84	168	26150	23190	X		AL61101/84/168/4K
		85	168	26280	-	X	X	AL61101/85/168/4K
	4	86	148	23930	21260	X		AL61101/86/148/4K
		87	225	33510	29710	X		AL61101/87/225/4K
	6	88	250	42190	37410	X		AL61101/88/250/4K
		90	314	49130	-	X	X	AL61101/90/314/4K
		89	330	53780	47690	X		AL61101/89/330/4K
	8	91	312	56230	50040	X		AL61101/91/312/4K
		92	440	74800	66570	X		AL61101/92/440/4K

12 LED Body Type Product Variations

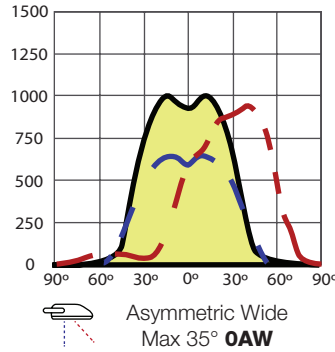
Beam Type	Body Type	Ref	Wattage	4000K output	3000K output	Product code
Symmetric Medium SM	12	121	608	92820	83330	AL61101/121/608/4K
		122	670	100560	90208	AL61101/122/670/4K
		123	746	109060	97910	AL61101/123/746/4K
Symmetric Wide SW		124	608	92820	83330	AL61101/124/608/4K
		125	670	100560	90208	AL61101/125/670/4K
		126	746	109060	97910	AL61101/126/746/4K
Aymmetric Medium AM		127	438	70000	62850	AL61101/127/438/4K
		128	480	76200	68410	AL61101/128/480/4K
		129	540	84000	75420	AL61101/129/540/4K
Aymmetric Medium AW		130	438	70000	62850	AL61101/130/438/4K
		131	480	76200	68410	AL61101/131/480/4K
		132	540	84000	75420	AL61101/132/540/4K
Circular Narrow CN	133	608	98300	88250	AL61101/133/608/4K	
	134	670	106500	95610	AL61101/134/670/4K	
	135	746	115500	103690	AL61101/135/746/4K	
Circular Wide CW	136	608	98300	88250	AL61101/136/608/4K	
	137	670	106500	95610	AL61101/137/670/4K	
	138	746	115500	103690	AL61101/138/746/4K	

Optic Options By Body Type

Optics Options Available For **Body Type 0**

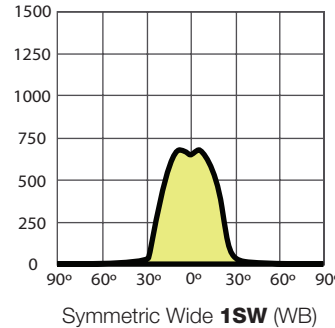


Symmetric Wide **OSW** (WB)

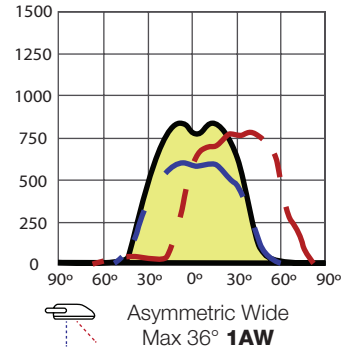


Asymmetric Wide
Max 35° **OAW**

Optics Options Available For **Body Type 1**

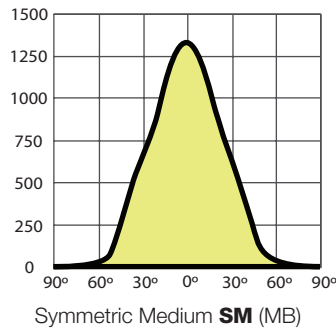


Symmetric Wide **1SW** (WB)

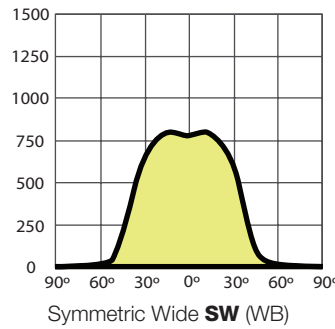


Asymmetric Wide
Max 36° **1AW**

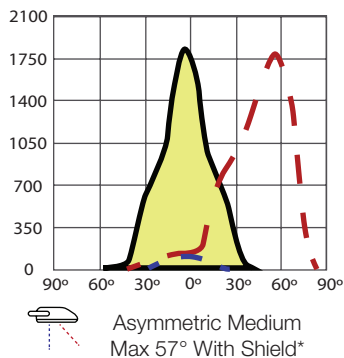
Optics Options Available For **Body Types 2/3/4/6/8/12**



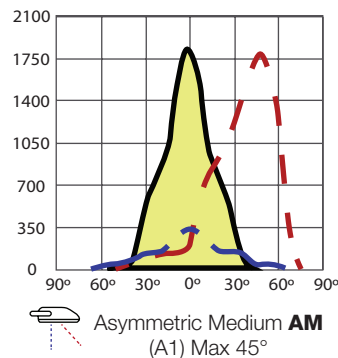
Symmetric Medium **SM** (MB)



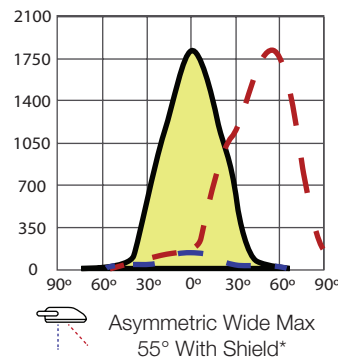
Symmetric Wide **SW** (WB)



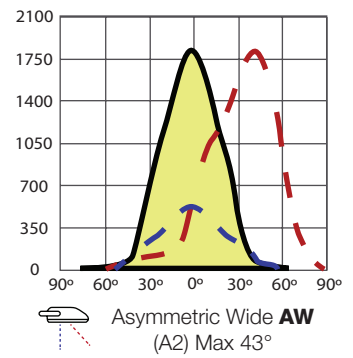
Asymmetric Medium
Max 57° With Shield*



Asymmetric Medium **AM**
(A1) Max 45°



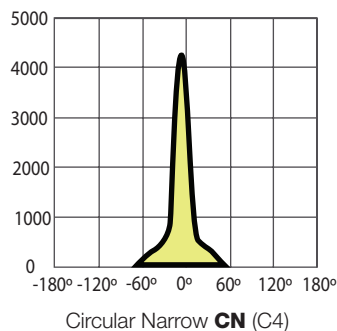
Asymmetric Wide Max
55° With Shield*



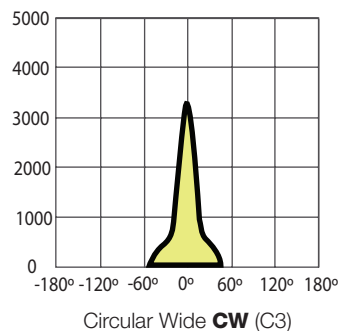
Asymmetric Wide **AW**
(A2) Max 43°

*Non-standard options may be subject to MOQs or longer lead times.

Optics Options Available For **Body Types 3/4/6/8/12**



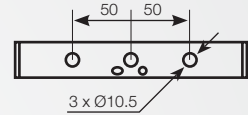
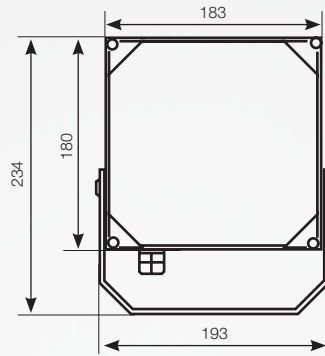
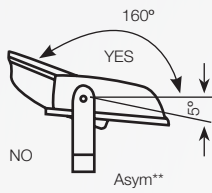
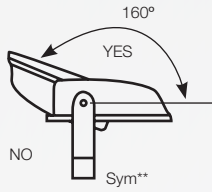
Circular Narrow **CN** (C4)



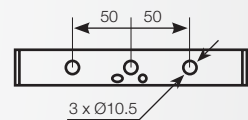
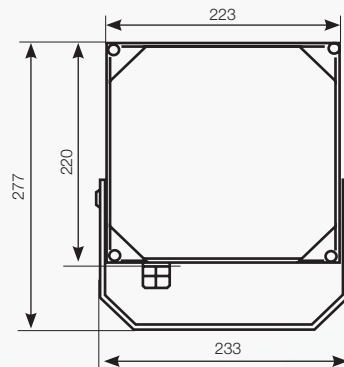
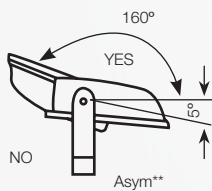
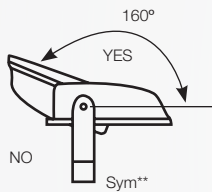
Circular Wide **CW** (C3)

VAGO Dimensions

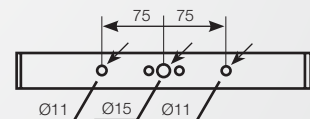
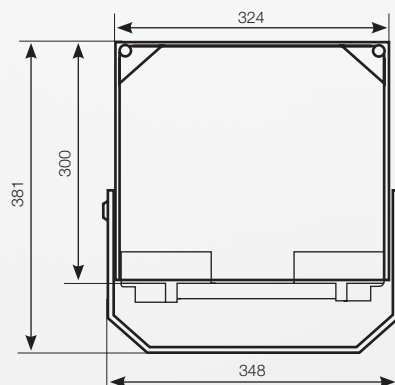
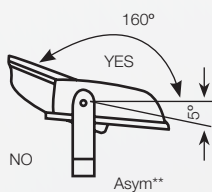
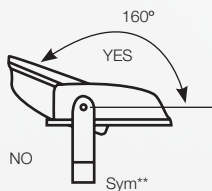
Body Type 0:



Body Type 1:

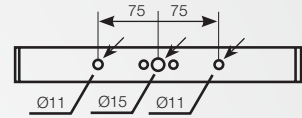
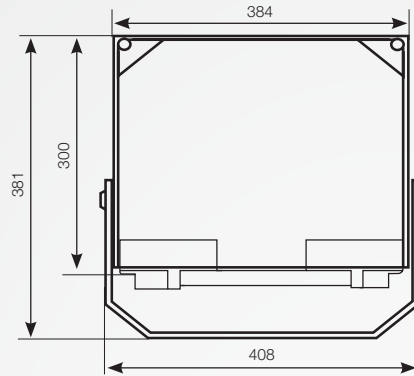
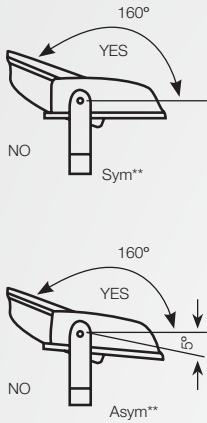


Body Type 2:

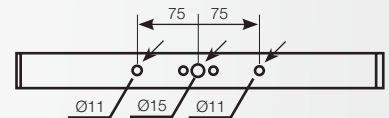
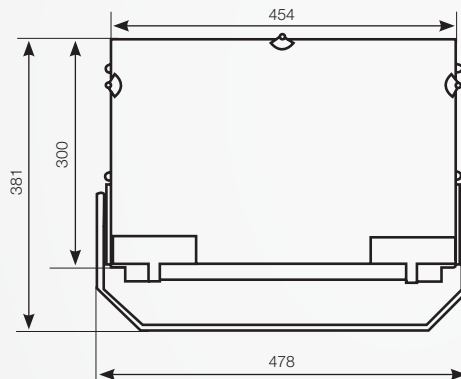
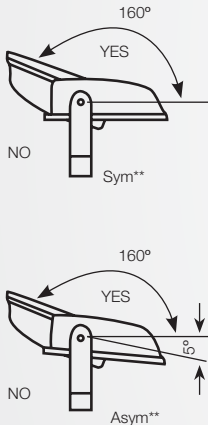


VAGO Dimensions

Body Type 3:



Body Type 4:



Body Types 6, 8 and 12:

